

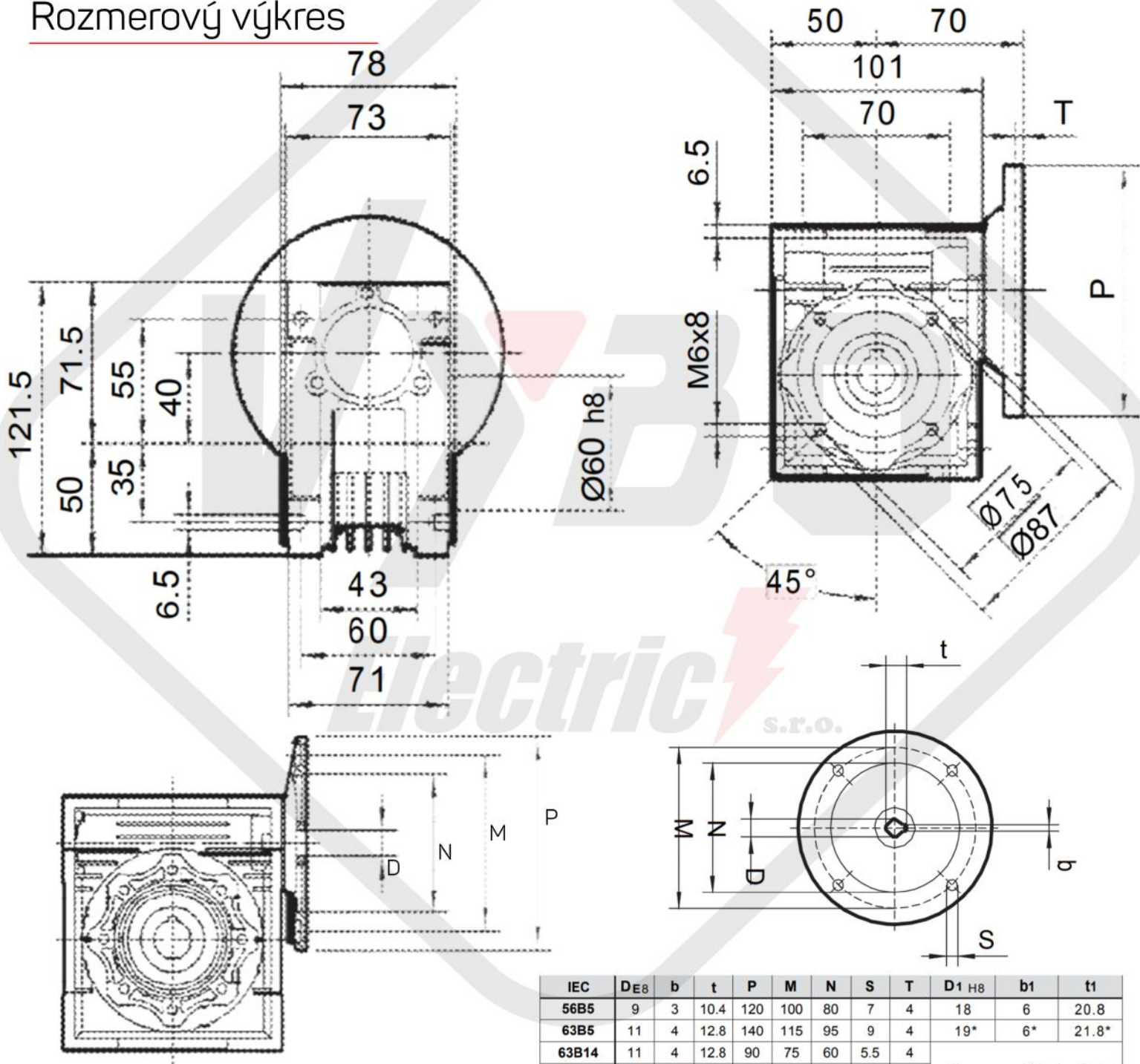
ŠNEKOVÁ PREVODOVKA WGM 040



Základné informácie

| | |
|-------------------------------|--|
| Typ: | WGM 040 |
| Otvor pre vstupný hriadeľ: | 9 mm, 11 mm, 14mm |
| Otvor pre výstupný hriadeľ: | 18 mm |
| Dostupné príruby: | 56B5, 63B14, 63B5, 71B14, 71B5 |
| Dostupný prevodový pomer [i]: | 7,5 - 100 |
| Hmotnosť: | 2,6 kg |
| Príslušenstvo na požiadanie: | -torzné rameno, príruby, hriadele, elektromotory |

Rozmerový výkres



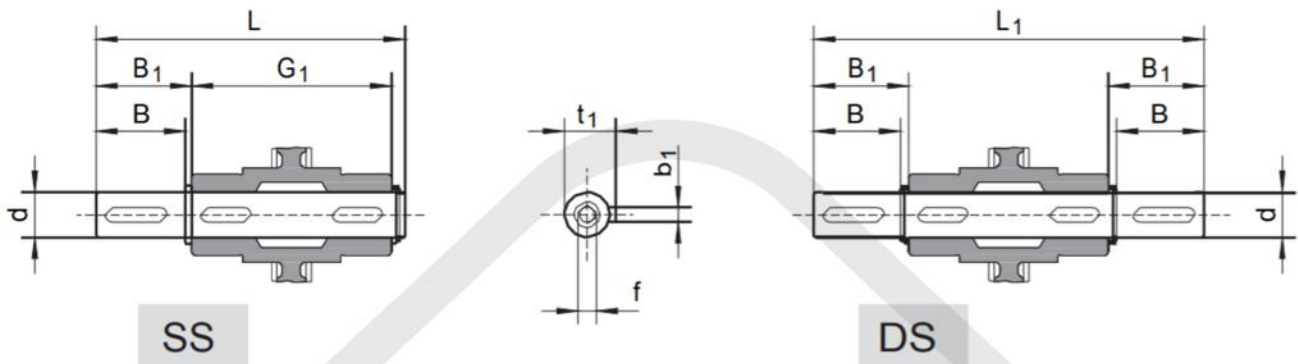
| IEC | D _{E8} | b | t | P | M | N | S | T | D ₁ H8 | b ₁ | t ₁ |
|-------|-----------------|---|------|-----|-----|-----|-----|---|---------------------|----------------|----------------|
| 56B5 | 9 | 3 | 10.4 | 120 | 100 | 80 | 7 | 4 | 18 | 6 | 20.8 |
| 63B5 | 11 | 4 | 12.8 | 140 | 115 | 95 | 9 | 4 | 19* | 6* | 21.8* |
| 63B14 | 11 | 4 | 12.8 | 90 | 75 | 60 | 5.5 | 4 | Iba na vyžiadanie * | | |
| 71B5 | 14 | 5 | 16.3 | 160 | 130 | 110 | 9 | 4 | | | |
| 71B14 | 14 | 5 | 16.3 | 105 | 85 | 70 | 7 | 4 | | | |

| WGM040 | IEC | | | | Priemer otvoru vstupného hriadeľa | | | | | | | | | | | |
|--------|-------|-----|-----|-----|-----------------------------------|----|----|----|----|----|----|----|----|----|-----|----|
| | IEC | P | M | N | Pomer | | | | | | | | | | | |
| | | | | | 7.5 | 10 | 15 | 20 | 25 | 30 | 40 | 50 | 60 | 80 | 100 | |
| | 56B5 | 120 | 100 | 80 | | | | | | | | | 9 | 9 | 9 | 9 |
| | 63B5 | 140 | 115 | 95 | | | | | | | | | | | | |
| | 63B14 | 90 | 75 | 60 | 11 | 11 | 11 | 11 | 11 | 11 | 11 | 11 | 11 | 11 | 11 | 11 |
| | 71B5 | 160 | 130 | 110 | | | | | | | | | | | | |
| | 71B14 | 105 | 85 | 70 | 14 | 14 | 14 | 14 | 14 | 14 | 14 | 14 | | | | |



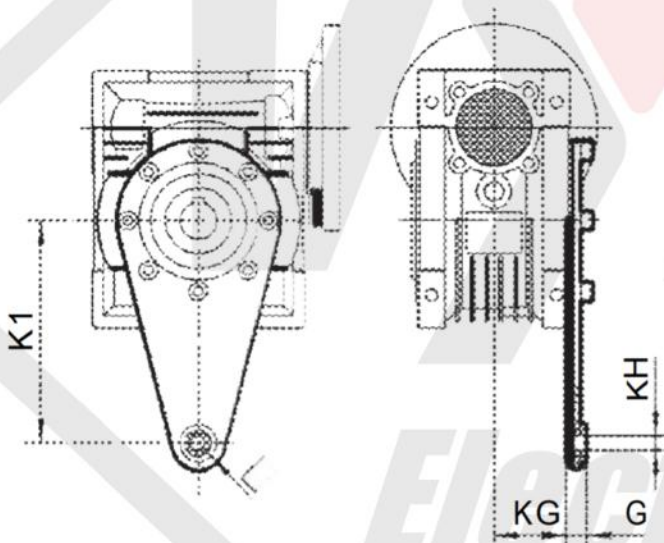
PRÍSLUŠENSTVO

Výstupné hriadele



| | d_{h6} | B | B_1 | G_1 | L | L_1 | f | b_1 | t_1 |
|---------------|----------|----|-------|-------|-----|-------|----|-------|-------|
| WGM040 | 18 | 40 | 43 | 78 | 128 | 164 | M6 | 6 | 20,5 |

Torzné rameno



| | K1 | G | KG | KH | R |
|---------------|-----|----|------|----|----|
| WGM040 | 100 | 14 | 31,5 | 10 | 18 |

Mazanie

| |  |  |  |  |  |  |  |  |  | |
|------------|---|---|---|---|---|--|---|---|---|---------------|
| | °C -50 0 +50 +100 | ISO | SHELL | AGIP | ESSO | MOBIL | CASTROL | BP | | |
| WGM025-105 | | | | | | | | | | Synthetokol |
| PC063-090 | -25 +50 | VG320 | Tivela OIL S320 | Telium VSF320 | S220 | Glygoyle 30 | Alphasyn PG320 | Energol SG-XP320 | | Synthetic oil |
| WG30-49 | | | | | | | | | | |

Množstvo maziva je len orientačné. Pre správne naplnenie sa vždy pri dopĺňaní pozrite na sklo alebo na mierku. Všetky rozdiely v hladinách oleja môžu byť spôsobené konštrukčnými toleranciami, ale aj montážnou polohou alebo montážnou schémou zákazníka. Preto je pre zákazníka veľmi dôležité skontrolovať hladinu oleja a v prípade potreby doplniť potrebné množstvo.



WGM 040

TABUĽKA VÝBERU PREVODOVKY WGM (IEC) Parametre výkonnosti WGM + ELEKTROMOTOR

| P_{1n} [kW] | n_2 [r/min] | M_{2n} [Nm] | i | F_{r2} [N] | f_s | | | | | | | |
|------------------|------------------|------------------|------|-----------------|-------|---------------|-----------------|-------------|---------------|-----------------|-----------------|-------------|
| 0.09 | 28 | 19 | 50 | 2475 | 2.1 | WGM040 | 56B5 | 56B4 | | | | |
| | 23.3 | 21 | 60 | 2630 | 1.7 | | | | | | | |
| | 17.5 | 25 | 80 | 2895 | 1.3 | | | | | | | |
| | 14 | 29 | 100 | 3118 | 1.0 | | | | | | | |
| 0.12 | 46.7 | 17 | 30 | 2087 | 2.7 | WGM040 | 63B5/B14 | 63A4 | | | | |
| | 35 | 21 | 40 | 2298 | 1.9 | | | | | | | |
| | 28 | 25 | 50 | 2475 | 1.6 | | | | | | | |
| | 23.3 | 28 | 60 | 2630 | 1.3 | | | | | | | |
| | 17.5 | 33 | 80 | 2895 | 1.0 | | | | | | | |
| | 14 | 38 | 100 | 3118 | 0.8 | | | | | | | |
| | 93.3 | 14 | 30 | 1657 | 2.5 | | | | WGM040 | 63B5/B14 | 63A2 | |
| 70 | 17 | 40 | 1824 | 1.8 | | | | | | | | |
| 0.18 | 56 | 21 | 50 | 1964 | 1.4 | WGM040 | 63B5/B14 | 63B4 | | | | |
| | 70 | 19 | 20 | 1824 | 2.1 | | | | | | | |
| | 56 | 23 | 25 | 1964 | 1.7 | | | | | | | |
| | 46.7 | 25 | 30 | 2087 | 1.8 | | | | | | | |
| | 35 | 32 | 40 | 2298 | 1.3 | | | | | | | |
| | 28 | 37 | 50 | 2475 | 1.0 | | | | | | | |
| | 23.3 | 42 | 60 | 2630 | 0.9 | | | | | | | |
| | 0.25 | 45 | 28 | 20 | 2113 | | | | 1.6 | WGM040 | 71B5/B14 | 71A6 |
| | | 36 | 34 | 25 | 2276 | | | | 1.3 | | | |
| | | 30 | 38 | 30 | 2419 | | | | 1.3 | | | |
| | | 22.5 | 47 | 40 | 2662 | | | | 1.0 | | | |
| | | 186.7 | 11 | 7.5 | 1315 | | | | 3.6 | WGM040 | 71B5/B14 | 71A4 |
| | | 140 | 14 | 10 | 1447 | | | | 2.8 | | | |
| | | 93.3 | 20 | 15 | 1657 | | | | 2.0 | | | |
| 70 | | 26 | 20 | 1824 | 1.5 | | | | | | | |
| 56 | | 32 | 25 | 1964 | 1.2 | | | | | | | |
| 46.7 | | 35 | 30 | 2087 | 1.3 | | | | | | | |
| 35 | | 44 | 40 | 2298 | 0.9 | | | | | | | |
| 120 | | 17 | 7.5 | 1524 | 2.6 | WGM040 | 71B5/B14 | 71B6 | | | | |
| 90 | | 22 | 10 | 1677 | 2.0 | | | | | | | |
| 60 | | 31 | 15 | 1920 | 1.4 | | | | | | | |
| 45 | | 39 | 20 | 2113 | 1.1 | | | | | | | |
| 36 | | 48 | 25 | 2276 | 0.9 | | | | | | | |
| 30 | | 53 | 30 | 2419 | 0.9 | | | | | | | |



WGM 040

TABUĽKA VÝBERU PREVODOVKY

WGM (IEC) Parametre výkonnosti WGM + ELEKTROMOTOR

| P_{1n} [kW] | n_2 [r/min] | M_{2n} [Nm] | i | F_{r2} [N] | f_s | | | |
|------------------|------------------|------------------|------|-----------------|-------|---------------|-----------------|-------------|
| 0.37 | 373.3 | 8.3 | 7.5 | 1044 | 3.4 | WGM040 | 71B5/B14 | 71A2 |
| | 280 | 11 | 10 | 1149 | 2.6 | | | |
| | 186.7 | 16 | 15 | 1315 | 1.9 | | | |
| | 140 | 20 | 20 | 1447 | 1.4 | | | |
| | 112 | 25 | 25 | 1559 | 1.1 | | | |
| | 186.7 | 16 | 7.5 | 1315 | 2.5 | WGM040 | 71B5/B14 | 71B4 |
| | 140 | 21 | 10 | 1447 | 1.9 | | | |
| | 93.3 | 30 | 15 | 1657 | 1.3 | | | |
| | 70 | 39 | 20 | 1824 | 1.0 | | | |
| | 56 | 47 | 25 | 1964 | 0.8 | | | |
| 46.7 | 52 | 30 | 2087 | 0.9 | | | | |
| 0.55 | 373.3 | 12 | 7.5 | 1044 | 2.3 | WGM040 | 71B5/B14 | 71B2 |
| | 280 | 16 | 10 | 1149 | 1.8 | | | |
| | 186.7 | 24 | 15 | 1315 | 1.3 | | | |
| | 140 | 30 | 20 | 1447 | 1.0 | | | |
| | 112 | 37 | 25 | 1559 | 0.8 | | | |
| | | | | | | | | |

TABUĽKA VÝBERU PREVODOVKY

PS - WGM Parametre výkonnosti PS+WGM+ELEKTROMOTOR

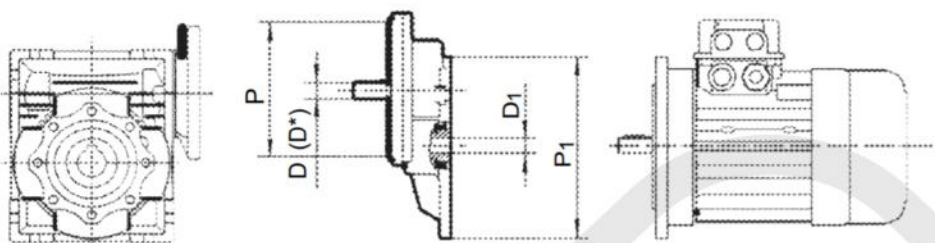
| P_{1n} [kW] | n_2 [r/min] | M_{2n} [Nm] | i | F_{r2} [N] | f_s | | |
|------------------|------------------|------------------|-----|-----------------|-------|-----------------------|-------------|
| 0.12 | 18.7 | 42 | 75 | 2833 | 1.2 | PS063 - WGM040 | 63A4 |
| | 15.6 | 46 | 90 | 3011 | 1.2 | | |
| | 11.7 | 57 | 120 | 3314 | 0.9 | | |
| | 9.3 | 66 | 150 | 3490 | 0.7 | | |
| | 7.8 | 74 | 180 | 3490 | 0.6 | | |
| | | | | | | | |
| 0.18 | 18.7 | 64 | 75 | 2833 | 0.8 | PS063 - WGM040 | 63B4 |
| | 15.6 | 70 | 90 | 3011 | 0.8 | | |
| | 11.7 | 85 | 120 | 3314 | 0.6 | | |

| | i | PS 063 | | PS 071 | | PS 080 | | | PS 090 | | |
|---------------|-----|----------|----------|----------|----------|----------|----------|----------|------------|------------|------------|
| | | 105 / 11 | 105 / 14 | 120 / 14 | 120 / 19 | 160 / 19 | 160 / 24 | 160 / 28 | 160 / 19 | 160 / 24 | 160 / 28 |
| | | $i = 3$ | $i = 3$ | $i = 3$ | $i = 3$ | $i = 3$ | $i = 3$ | $i = 3$ | $i = 2.42$ | $i = 2.42$ | $i = 2.42$ |
| WGM040 | 25 | | | | | | | | | | |
| | 30 | | | | | | | | | | |
| | 40 | | | | | | | | | | |
| | 50 | | | | | | | | | | |
| | 60 | | | | | | | | | | |
| | 80 | | | | | | | | | | |
| | 100 | | | | | | | | | | |



WGM 040

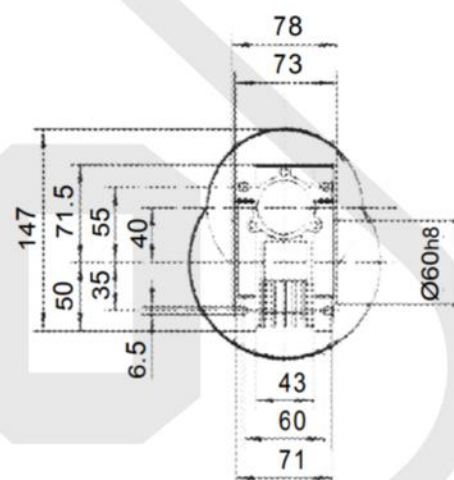
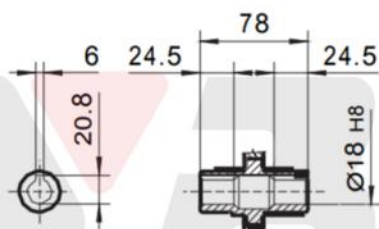
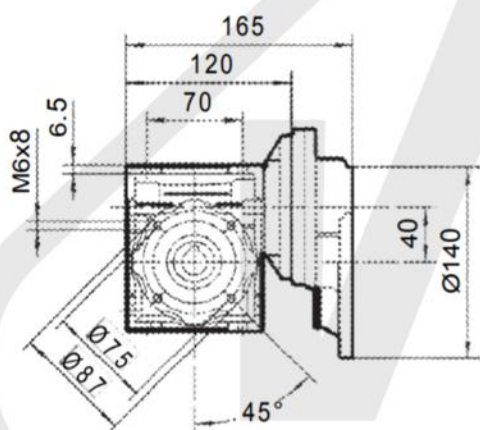
PS-WGM



| | P | D | D* | P ₁ | D ₁ |
|--------|-----|----|----------|----------------|----------------|
| PS 063 | 105 | 11 | 14 | 140 (63B5) | 11 |
| PS 071 | 120 | 14 | 19 | 160 (71B5) | 14 |
| PS 080 | 160 | 19 | 24 28 | 200 (80B5) | 19 |
| PS 090 | 160 | 24 | 19 28 | 200 (90B5) | 24 |

* Iba na vyžiadanie

PS063 - WGM040



TABUĽKA VÝBERU PREVODOVKY Parametre výkonnosti WGM+WGM+ELEKTROMOTOR

| P _{1n} [kW] | n ₂ [r/min] | M _{2n} [Nm] | i | F _{r2} [N] | f _s | s.r.o. | |
|-------------------------|---------------------------|-------------------------|------|------------------------|----------------|------------|------|
| 0.06 | 4.7 | 56 | 300 | 3490 | 1.2 | WGM025/040 | 56A4 |
| | 3.5 | 69 | 400 | 3490 | 0.9 | | |
| | 2.8 | 94 | 500 | 3490 | 0.7 | | |
| | 2.3 | 100 | 600 | 3490 | 0.6 | | |
| | 1.9 | 115 | 750 | 3490 | 0.5 | | |
| | 1.6 | 125 | 900 | 3490 | 0.5 | | |
| | 1.2 | 153 | 1200 | 3490 | 0.4 | | |
| | 0.9 | 185 | 1500 | 3490 | 0.3 | | |
| | 0.8 | 198 | 1800 | 3490 | 0.3 | | |
| | 0.6 | 247 | 2400 | 3490 | 0.2 | | |
| | 0.5 | 280 | 3000 | 3490 | 0.2 | | |
| | 0.4 | 295 | 4000 | 3490 | 0.1 | | |
| | 0.3 | 348 | 5000 | 3490 | 0.1 | | |



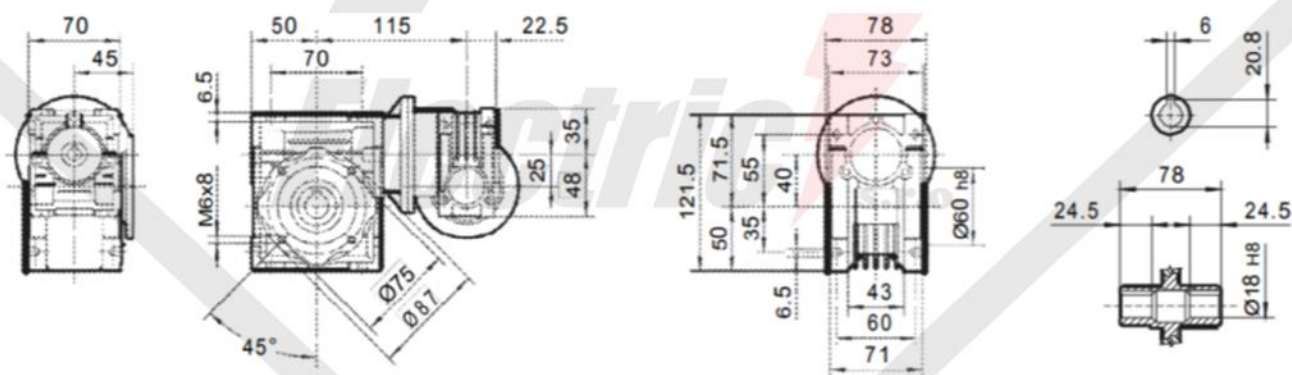
WGM 040

TABUĽKA VÝBERU PREVODOVKY

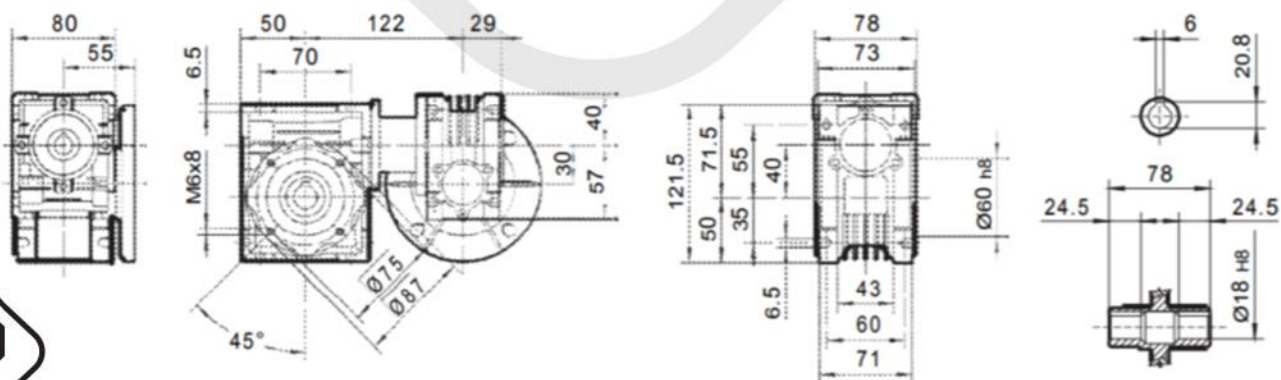
Parametre výkonnosti WGM+WGM+ELEKTROMOTOR

| P_{1n} [kW] | n_2 [r/min] | M_{2n} [Nm] | i | F_{R2} [N] | f_s | | |
|------------------|------------------|------------------|------|-----------------|-------|------------|------|
| 0.06 | 4.7 | 55 | 300 | 3490 | 1.3 | WGM030/040 | 56A4 |
| | 3.5 | 67 | 400 | 3490 | 0.9 | | |
| | 2.8 | 88 | 500 | 3490 | 0.6 | | |
| | 2.3 | 95 | 600 | 3490 | 0.7 | | |
| | 1.9 | 103 | 750 | 3490 | 0.6 | | |
| | 1.6 | 118 | 900 | 3490 | 0.5 | | |
| | 1.2 | 143 | 1200 | 3490 | 0.4 | | |
| | 0.9 | 166 | 1500 | 3490 | 0.4 | | |
| | 0.8 | 184 | 1800 | 3490 | 0.3 | | |
| | 0.6 | 217 | 2400 | 3490 | 0.2 | | |
| | 0.4 | 247 | 3200 | 3490 | 0.2 | | |
| | 0.4 | 278 | 4000 | 3490 | 0.1 | | |
| | 0.3 | 327 | 5000 | 3490 | 0.1 | | |
| 0.09 | 9.3 | 43 | 300 | 3490 | 1.6 | WGM025/040 | 56A2 |
| | 7.0 | 52 | 400 | 3490 | 1.2 | | |
| | 5.6 | 71 | 500 | 3490 | 0.8 | | |
| | 4.7 | 82 | 300 | 3490 | 0.8 | WGM030/040 | 56B4 |

WGM025 / 040

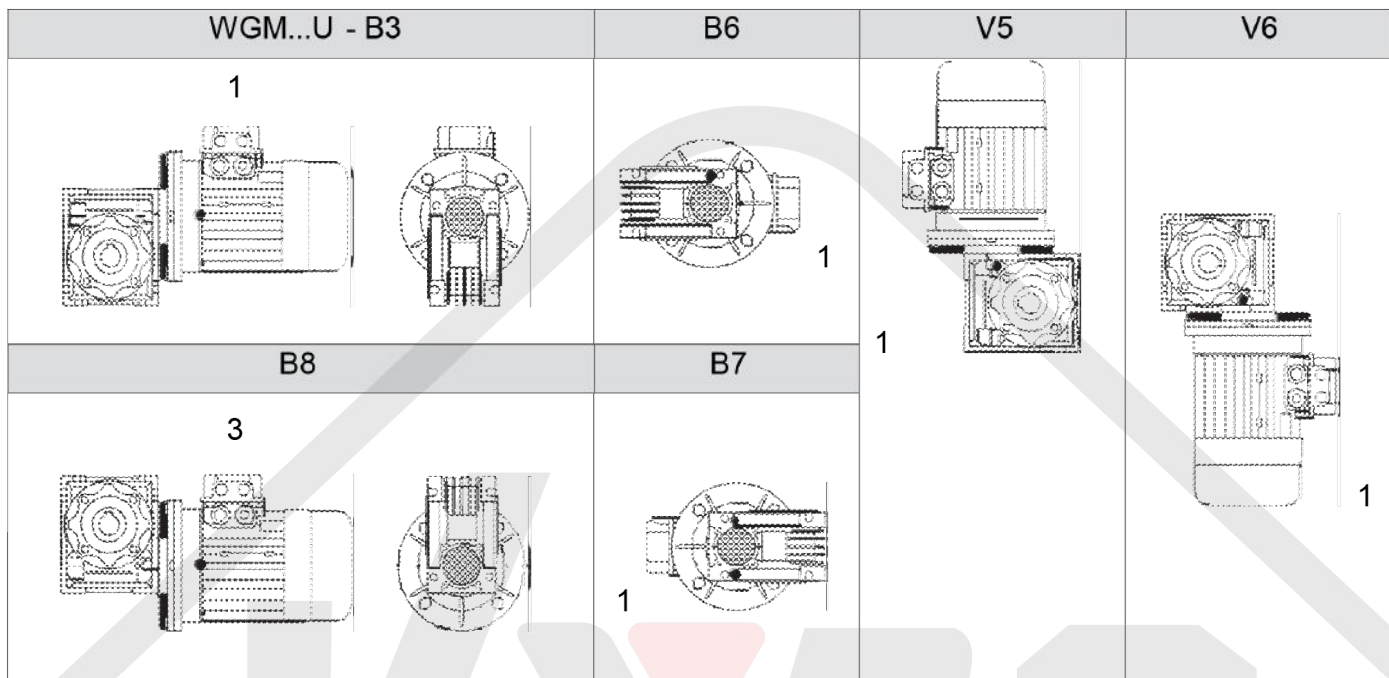


WGM030 / 040

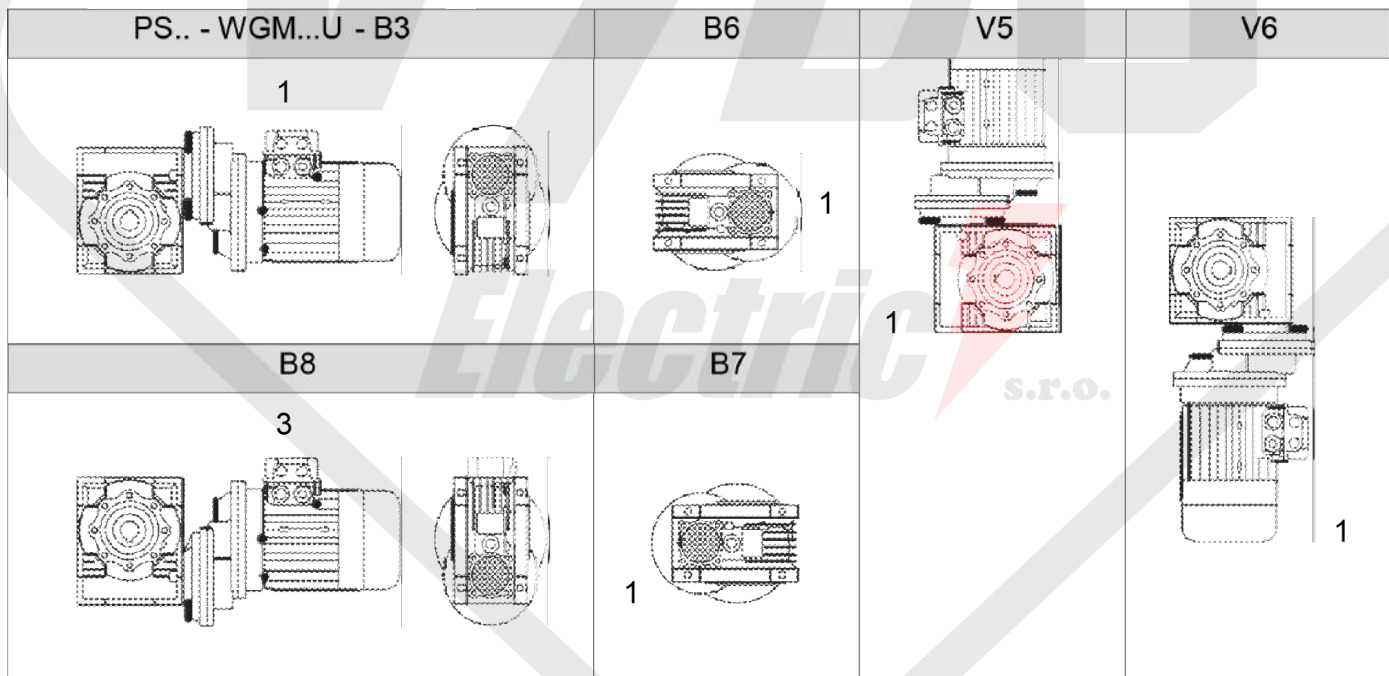


MONTÁŽNY DIAGRAM

WGM alebo WGMHS - Montážna poloha



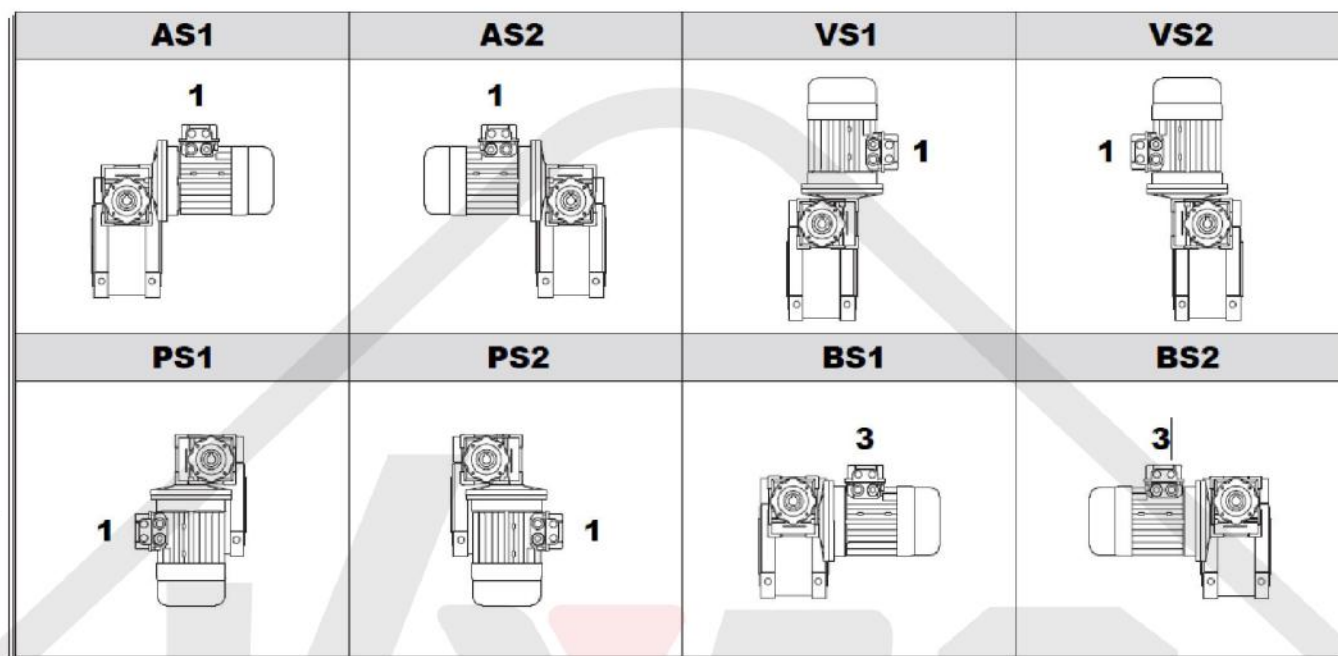
PS - WGM - Montážna poloha



Verzia "U" sa vzťahuje na veľkosti od WGM025-075 a WGMHS030-063. Pri týchto rozmeroch nie je potrebné špecifikovať montážnu polohu.

- Pokiaľ nie je uvedené inak, štandardné pozície sú B3.

WGM/WGMHS Montážne pozície



Existuje 8 rôznych typov prevodoviek s dvoma závitovkami.
Malá prevodovka môže byť namontovaná na veľkú prevodovku.
Montážna poloha sa vždy vzťahuje na veľkú prevodovku.
Ak nie je uvedené v objednávke inak, dodáva sa typ BS2.

Electric  s.r.o.